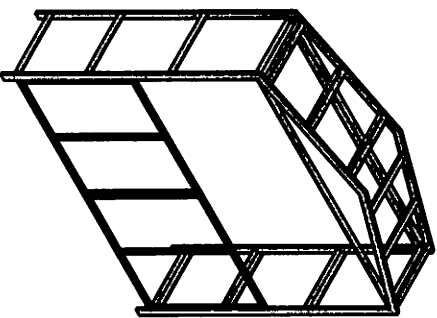
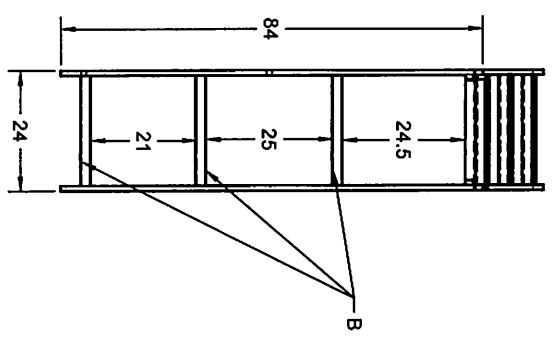
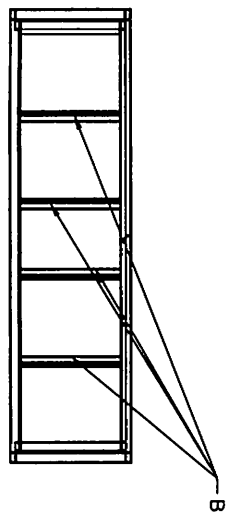
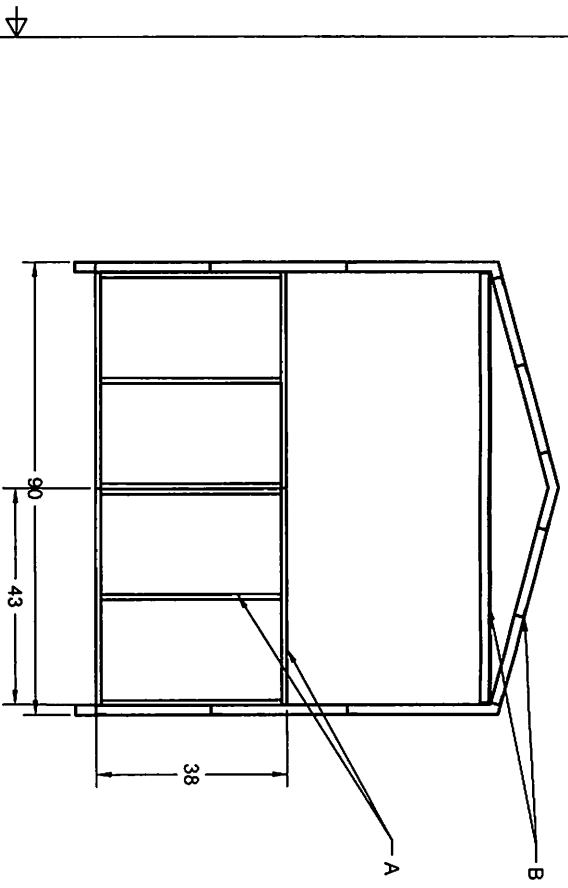


LARGE HUT DESIGN
DRAWING 1/6

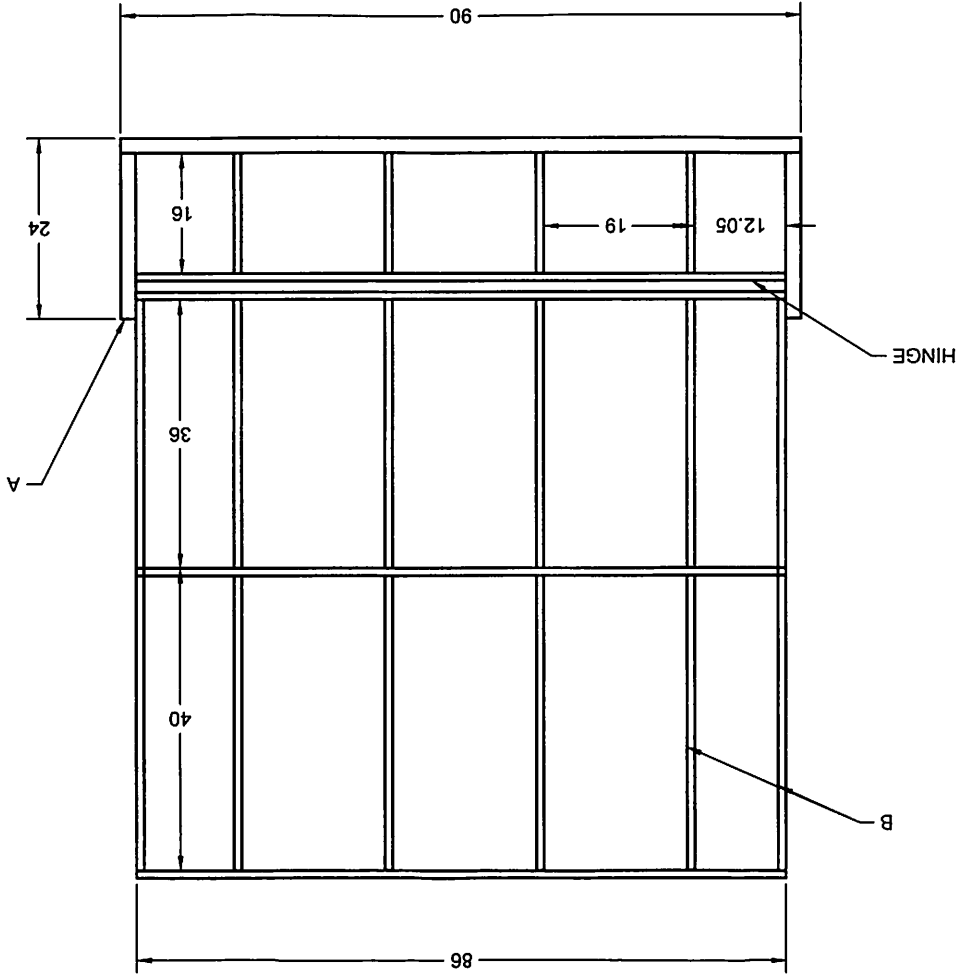


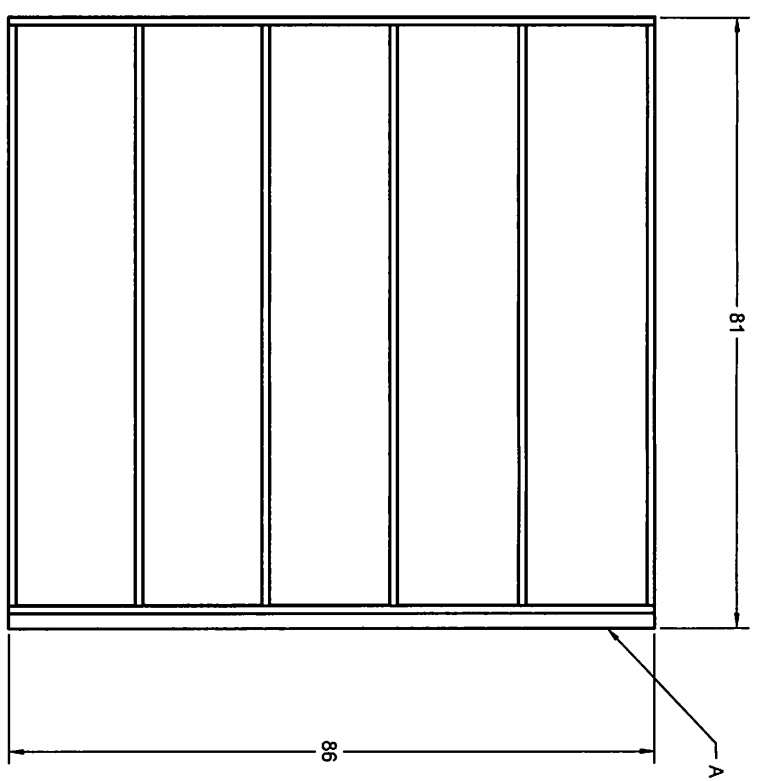
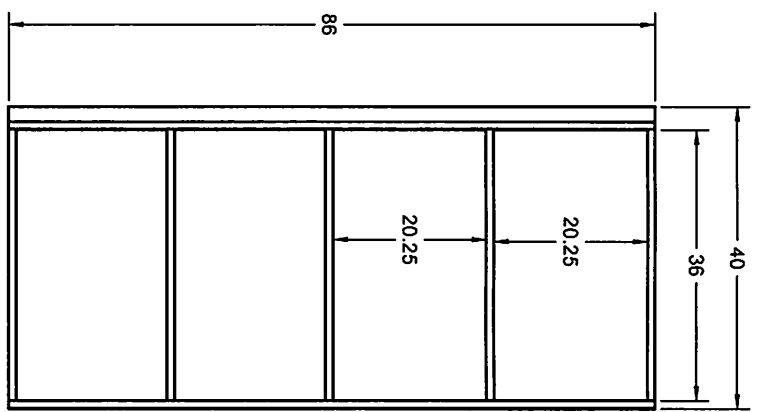
LARGE HUT DESIGN

- A- 1"x1"x.125" ALUMINUM TUBE
- B- 2"x2"x.125" ALUMINUM ANGLE
- C- 1"x2"x.125" ALUMINUM TUBE

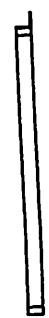
DRAWING 216

LARGE HUT DESIGN
A-2"x4" X.250" ALUMINUM TUBE
B-1"x3" X.125" ALUMINUM TUBE
3/4" PLYWOOD
DRAWING 3/6



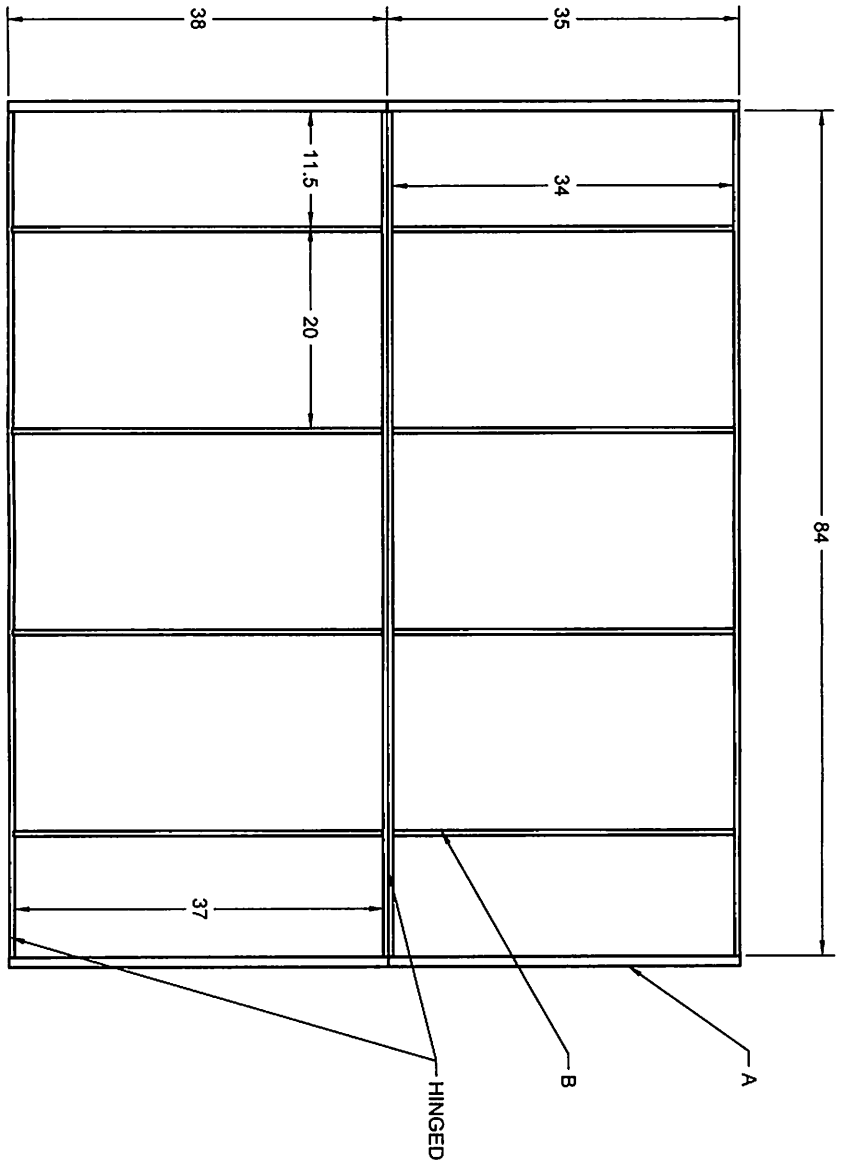


TOP VIEW

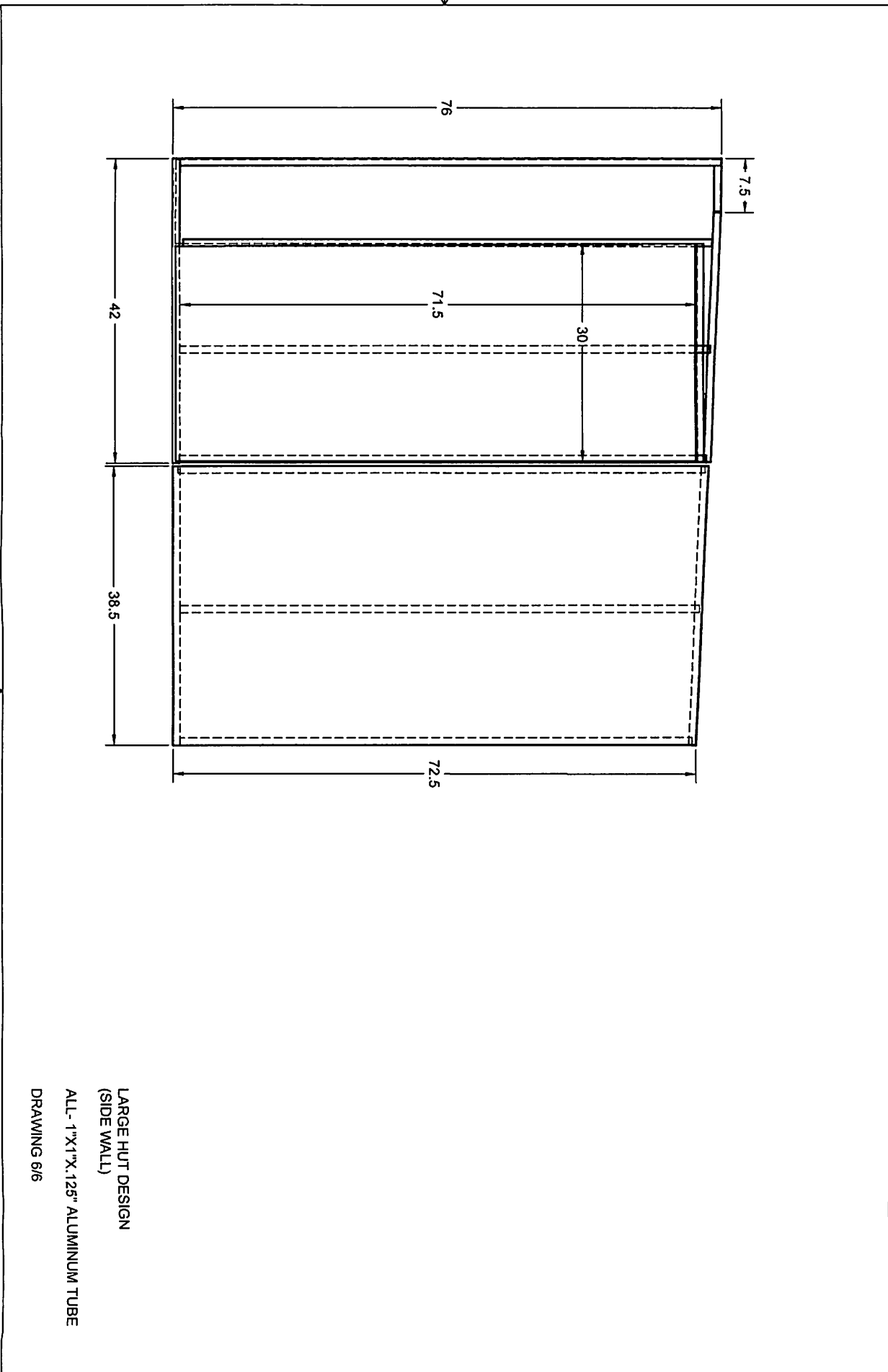


SIDE VIEW

LARGE HUT DESIGN
A-2"X2"X.125' ALUMINUM ANGLE
ALL OTHER
1"X2"X.125' ALUMINUM TUBE
.040 ALUMINUM EXTERIOR
DRAWING 4/6



LARGE HUT DESIGN
(REAR WALL)
A-1"X1"X.125" ALUMINUM TUBE
B-.5"X1"X.125" ALUMINUM TUBE
DRAWING 5/6



LARGE HUT DESIGN
(SIDE WALL)
ALL-1"X1"X.125" ALUMINUM TUBE
DRAWING 6/6